

4/8/2013

4' Fluorescent Wrap Commercial Grade

Two Lamps

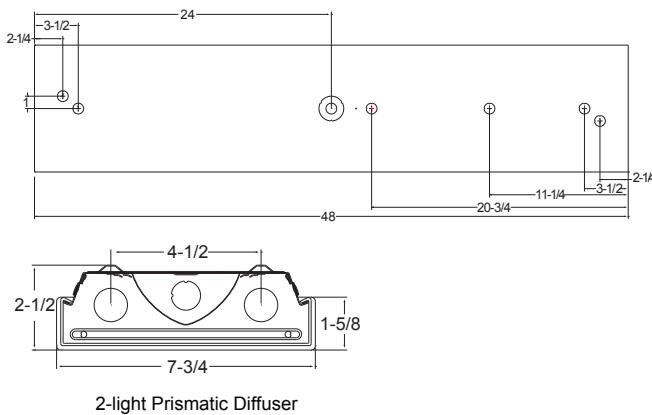
Fluorescent Wrap



Applications

Hallway/Corridor	Office
Schools	Residential
Shops/Sheds	Utility Areas

Dimensions



Project:	
Catalog#:	
Approved by:	

Description

CW24 series is a narrow bodied, versatile, and durable fluorescent wrap fixture. This fixture operates two lamps and as a standard feature comes with a Howard ballast.

Features

Construction

- Die-formed code-gauge steel
- High gloss, baked enamel finish
- High quality lamp holders
- NEC compliant luminaire power disconnect standard

Diffuser

- Prismatic 100% Acrylic wrap-around lens
- Injection Molded
- Industry Standard #8 Pattern minimizes lamp image for more uniform appearance
- Ribbed side prisms control surface brightness
- Interlocking attachment prevents accidental removal
- Diffuser designed to hinge from either side allowing for easy maintenance

Installation

- Shipped fully wired with Howard ballast
- Shipped fully assembled
- Easy access to wiring compartment and ballast via tool-free removable ballast cover
- Numerous knockouts on fixture top surface and endcaps
- Flexible mounting options: surface mount, pendant mount, individual or continuous run

Ballast

- Electronic, Inherent Thermal Protection, Class P, Sound rated A

- UL Listed

Fixture Listing

- UL Listed

Specifications subject to change without notice.

4/8/2013

4' Fluorescent Wrap Commercial Grade

Two Lamps

Project:	
Catalog#:	
Approved by:	

Ordering Information

Model Family	Reflector/Lens	No. of Lamps	Lamp Type/Wattage ⁽¹⁾	Ballast	Input Volts	Factory Installed Options	Cordset Options	T B A	Packaging
CW24	0	2	32	SE	MV	000	01	0	I
CW24	0: Reflective White Front (86%)	2	32A: F32T8 ⁽²⁾	SE: SBF High Eff ⁽³⁾ HE: HBF High Eff ⁽³⁾ LE: LBF High Eff ⁽³⁾	MV: 120-277v	000: No FIOs B: Emergency Ballast ⁽⁴⁾	00: Standard Disconnect 01: 6' SJT 18/3, no plug 02: 10' SJT 18/3, no plug 03: 6' SJT 18/3 L5-15, twist lock 120v 04: 10' SJT 18/3 L5-15twist lock 120v 05: 6' SJT 18/3 5-15non twist lock 120v 06: 10' SJT 18/3 5-15non twist lock 120v 07: 6' SJT 18/3 L7-15 twist lock 277v 08: 10' SJT 18/3 L7-15 twist lock 277v 11: 16/3, no plug specify length 17: 18/3, no plug specify length 22: 6' SJT 16/3 L7-20 twist lock 277v 23: 6' SJT 18/3 L6-15 twist lock 240v *Other cordsets available, consult customer service		I: Single

(1) Lamp installation not available.
 (2) 32A Option will also run 30 & 28W T8 Energy Saving lamps, but the actual ballast will be the same.
 (3) High Efficiency ballasts are CEE Listed.
 (4) Please specify Emergency Ballast (120-277v only) lumen requirements at time of request.

Sample Ordering Number:
CW24 0 2 32A SE MV 000 01 0 I
 CW24 Series 4-Foot Fluorescent Wrap
 Reflective White Front
 2-lamps (lamps not provided)
 F32T8 Standard Ballast Factor Instant Start
 High Efficiency Ballast
 Multi-volt (120-277v)
 6' SJT 18/3 cord, no plug
 Single Packaging

SE	Standard Ballast Factor High Efficiency Instant Start T8 Ballast
HE	High Ballast Factor High Efficiency Instant Start T8 Ballast
LE	Low Ballast Factor High Efficiency Instant Start T8 Ballast

Specifications subject to change without notice.